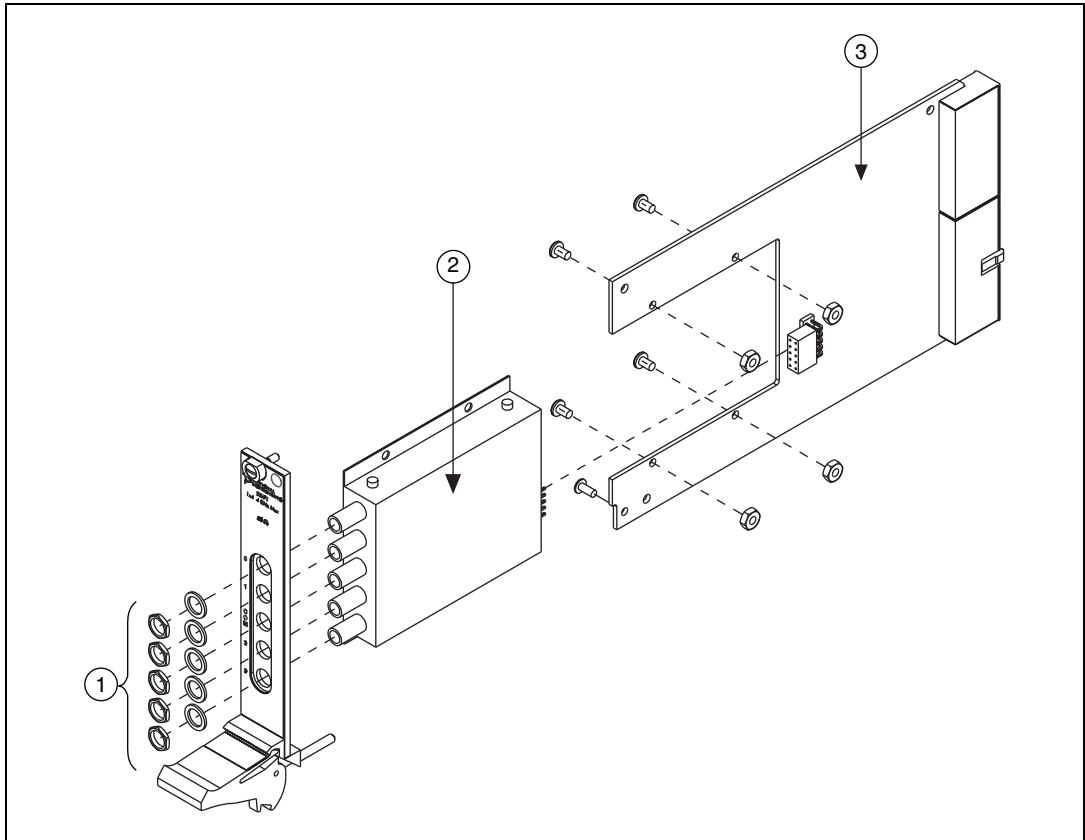


## REPLACING THE NI 2591 RELAY MODULE

The NI 2591 is constructed so that you can replace the relay module when the relays fail. The life of the relay is nominally  $10^5$  operations when switching the maximum-rated load.



1 Hex Nuts and Washers

2 Relay Module

3 Base Card

**Figure 1.** NI 2591 Parts Locator Diagram

Follow these instructions, and refer to Figure 1 to replace the failed module.

1. Ground yourself with a grounding strap or a ground connected to your PXI chassis. Properly grounding yourself prevents damage to your PXI module from electrostatic discharge.
2. Remove the four Phillips-head screws and nuts that fasten the NI 2591 relay module to the module carrier.
3. Remove the hex nuts and washers from the SMA connectors on the front panel.
4. Remove the PXI ejector handle screw that secures the front panel.
5. Remove the module from the base card.



**Note** You can order an RF 2591 replacement relay module for your NI 2591 from National Instruments. The replacement kit contains the fully assembled module.



323026A-01

Jan01